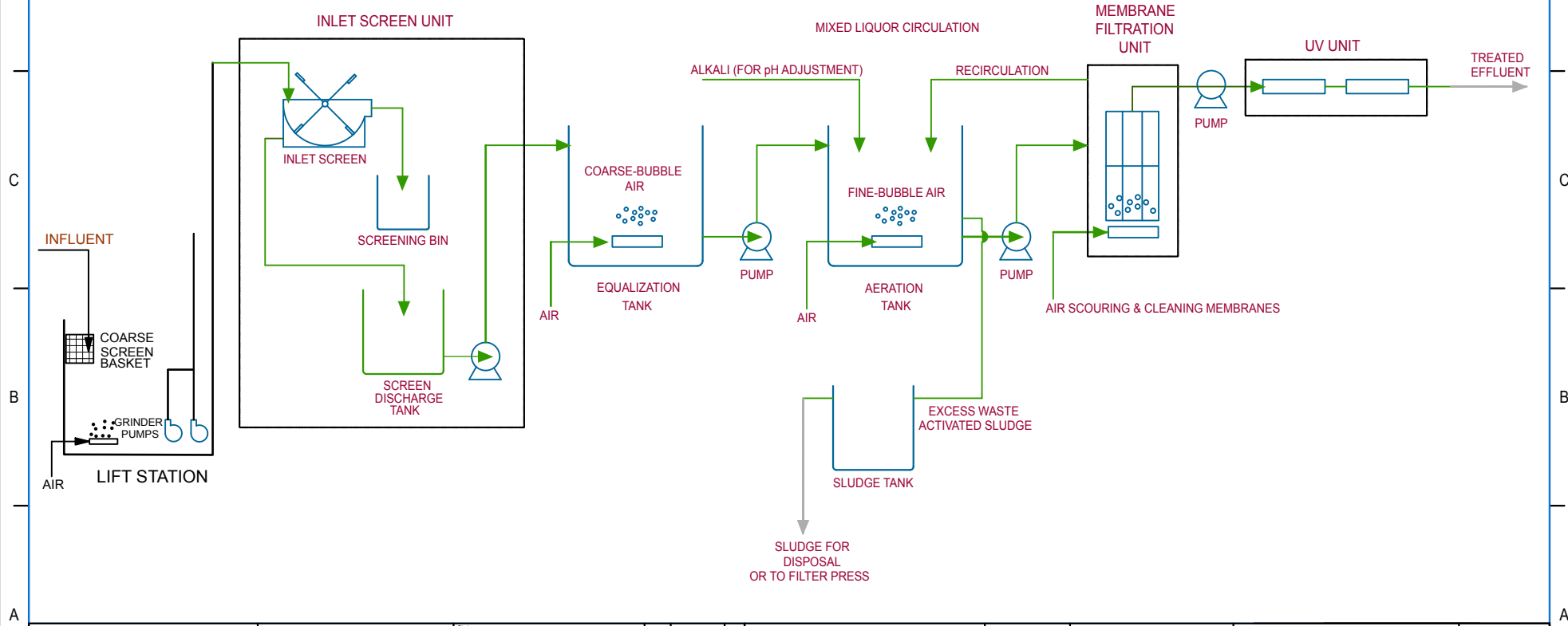


PACKAGE BPW-MBR WASTEWATER TREATMENT PLANT
SCHEMATIC PROCESS FLOW DIAGRAM



BI Pure Water (Canada) Inc.
#2, 9790 - 190th Street
Surrey, BC V4N 3M9
Phone: (604) 882-6650
Fax: (604) 882-6659
<http://www.bipurewater.ca>

THE INFORMATION CONTAINED IN THIS DRAWING IS THE SOLE PROPERTY OF **BI PURE WATER (CANADA) INC.** ANY REPRODUCTION IN PART OR WHOLE OF THE INFORMATION HEREIN, WITHOUT THE WRITTEN PERMISSION OF BI PURE WATER (CANADA) INC., IS STRICTLY PROHIBITED.

PRELIMINARY - NOT FOR CONSTRUCTION

Issue	Date	Appd.	Revision Description

Design By:	M
Drawn By:	W
Checked By:	
Submitted:	
Approved:	

Client:	
---------	--

Title:	SYSTEM PROCESS DIAGRAM	Scale:	NTS
Date:	May 21, 2014	Sheet:	1 of 1
Project:	20-280 m3/day	Job#:	
Drawing #:		Rev:	