

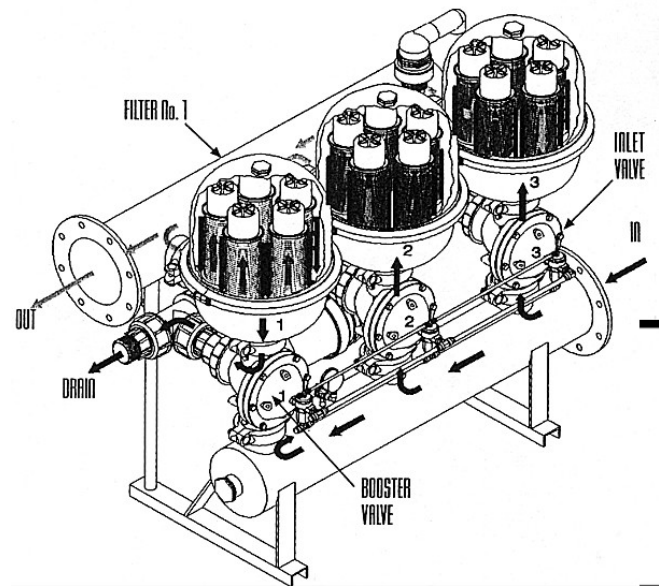
Galaxy Multi-Spine Disc Filters

Filtration Process

Inlet opens allowing a flow of water from the inlet manifold into the filter, through the 5 elements of filtration, to the outlet manifold and out to the field.

Backflush Process

Inlet is closed. Drain port opens allowing clean water to flow from the outlet manifold in the opposite direction into the filter. The discs are cleaned, particles are flushed out from the filter through the drain manifold.



When the filters are loaded (with particles) the difference of pressure between the inlet and the outlet of the Galaxy rises. A differential pressure gauge detects the critical difference of pressure pre-programmed transmitting a signal to the control unit which begins the backflush process of the filters in the battery one after the other.

Only one filter at a time is cleaned, while the remaining filters in the Galaxy system continue to supply clean water to the downstream for the backflush process.

Product Advantages

- Compact, simple design.
- Automatic, self-cleaning, self-flushing system triggered by pressure differential and/or pre-set time.
- Equipped with new spine for maximum performance and low maintenance.
- Simple installation and operation.
- Short backflush cycle - saves backflush water.
- Flushing cycle has a regulated volume, short and environmentally friendly, minimizing the use of flushed water.
- Innovative design captures and stores large amounts of solids - reducing the need for backflushing.
- No interruption of flow during backflush cycle.

Applications

- For surface and well water
- For systems requiring high volumes of water

Specifications

- Maximum operating pressure: 140 psi
- Minimum operating pressure for backflushing: 45 psi
- Backflush flow rate per unit @ 45 psi: 175 GPM
- Maximum operating temperature: 158°
- Epoxy coated units: flanged in/flanged out
- Stainless steel units: grooved in/grooved out



120 mesh								
Water Quality	3 Units	4 Units	5 Units	6 Units	7 Units*	8 Units*	9 Units*	10 Units*
Good	1485	1980	2475	2970	3465	3960	4455	4950
Average	1245	1672	2090	2508	2926	3344	3735	4150
Poor	884	1179	1474	1769	2064	2358	2655	2950
Very Poor	541	722	902	1082	1263	1443	1623	1804

* Larger sizes available by special order only.

140 mesh								
Water Quality	3 Units	4 Units	5 Units	6 Units	7 Units*	8 Units*	9 Units*	10 Units*
Good	1320	1760	2200	2640	3080	3520	3960	4400
Average	990	1320	1650	1980	2310	2640	2970	3300
Poor	660	880	1100	1320	1540	1760	1980	2200
Very Poor	436	581	726	871	1016	1162	1308	1545

*Larger sizes available by special order only

Available from:

BI Pure Water (Canada) Inc.
#255 - 19358 - 96 Avenue, Surrey, BC V4N 4C1 Canada
Ph: 604-882-6650 or 1-888-901-3111 Fax: 604-882-6659
www.bipurewater.com